



TRACTOR LINE

TriBOT 10000

TriBOT 10000

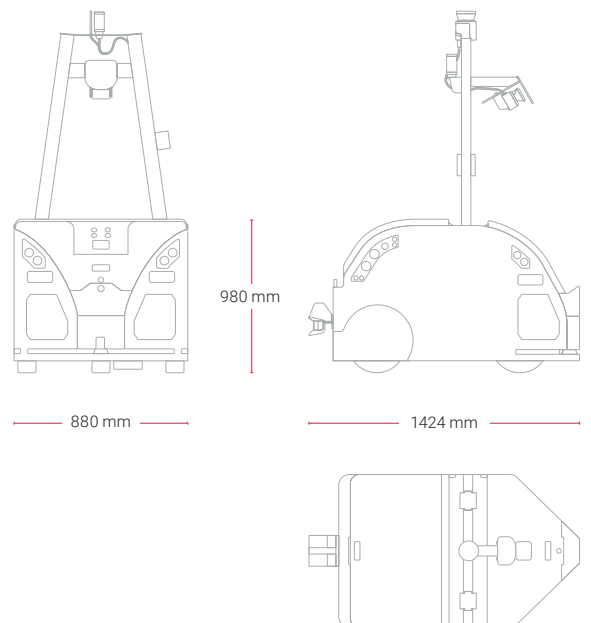
Maximize your productivity by automating the transportation of your goods up to 10 Tn both indoors and outdoors.

With minimum dimensions, large capacity and great manoeuvrability, TriBOT 10000 is a strong, easy, safe and flexible solution for horizontal heavy load transportation and order picking over long distances.

- **STRONG:** High towing capacity in high performance use.
- **EASY:** Easy to set up, user-friendly interface and simplified maintenance.
- **SAFE:** Our AGVs are fully safety equipped.
- **FLEXIBLE:** Multiple navigation systems, magnetic or SLAM. Easy configurable routes. Automatic for indoor and outdoor use.



Towing capacity	7200 N
Maximum payload	10000 kg
Dimensions (LxWxH)	1424 x 980 x 880 mm
Movement	Unidirectional
Navigation system	Magnetic + RFID tags SLAM + Magnetic Dual Navigation (optional)
Speed range	From 0.035 to 2 m/s*
Turning radius (without trolley)	1270 mm
Slope	Up to 10%
Positioning accuracy	Up to ± 10 mm
Manual movement	Control pad Clutch system (external tool - optional)
Battery	Li-Ion 48 V 130 Ah
Charging system	Online charging system (induction) External charger
Environment	Indoor / Outdoor
Safety systems	1 x Safety PLC 1 x Safety laser for indoor/outdoor environment Anti-collision laser environment ** 4 x Emergency stop button
Optional elements	M2M module + Connected Services External charger Bluespot, beacon & flashing light
Fleet management system	SIGAT MultiAGV
Communication	WiFi Radio frequency system M2M
Connectivity	2 x USB, Ethernet, IoT Through IT: ERP, MRP, MES, DDBB interface Industrial connectivity: OPC, wired connection



*Depends on navigation technology
**Not included in basic model